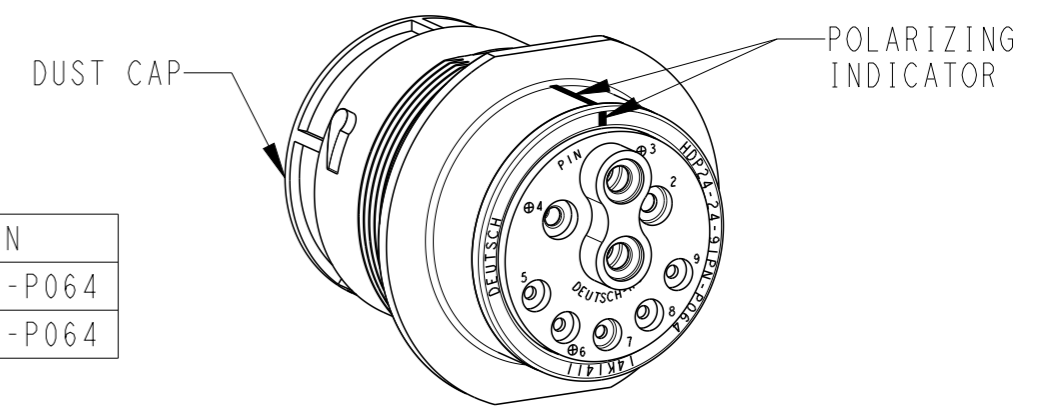
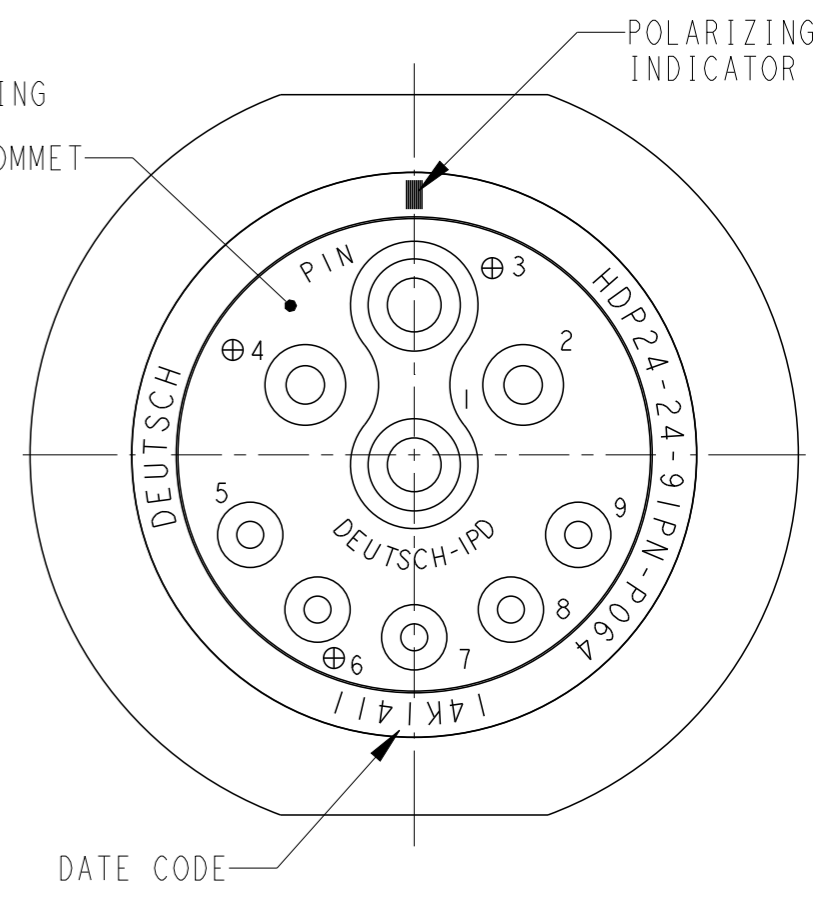
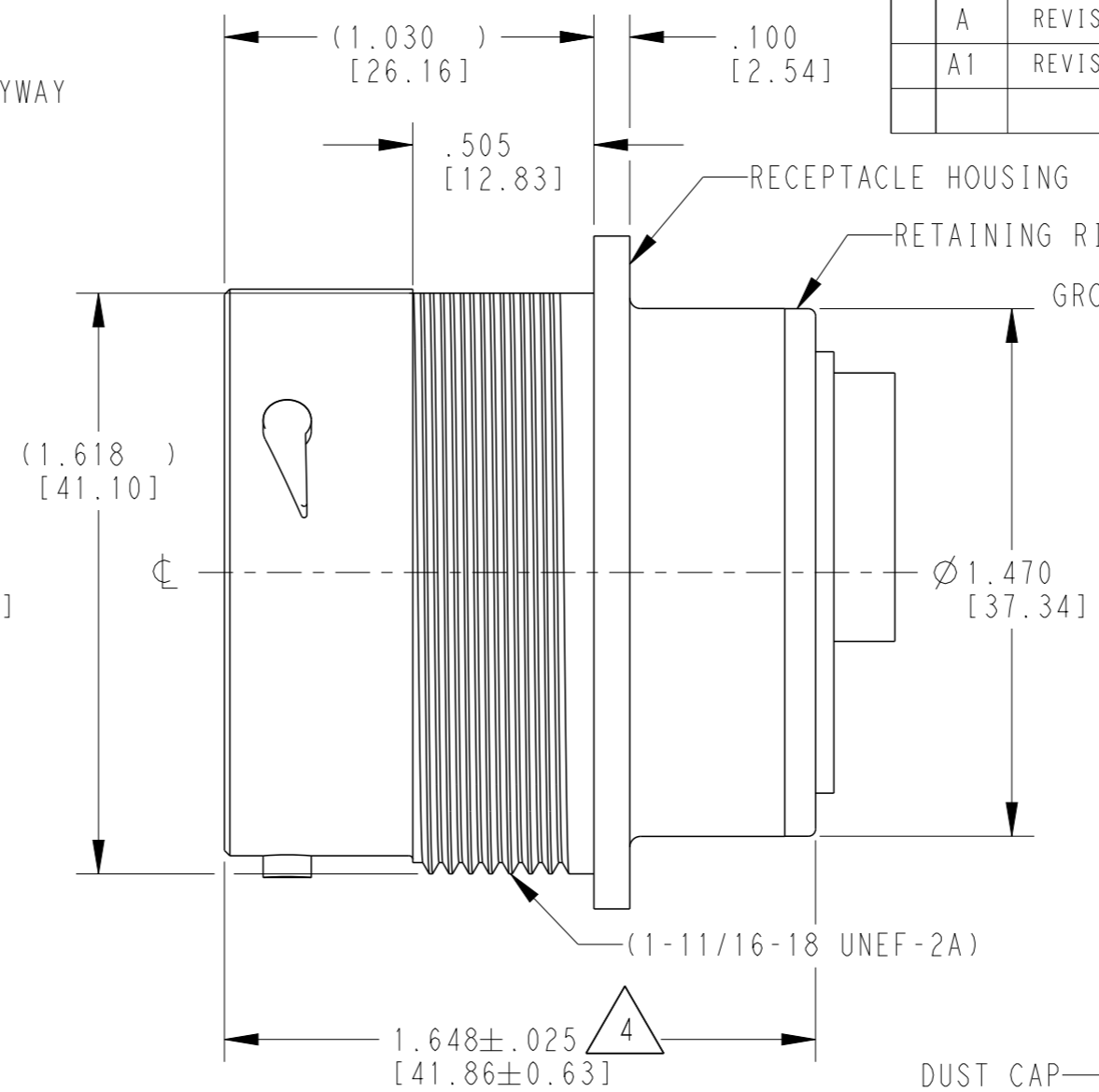
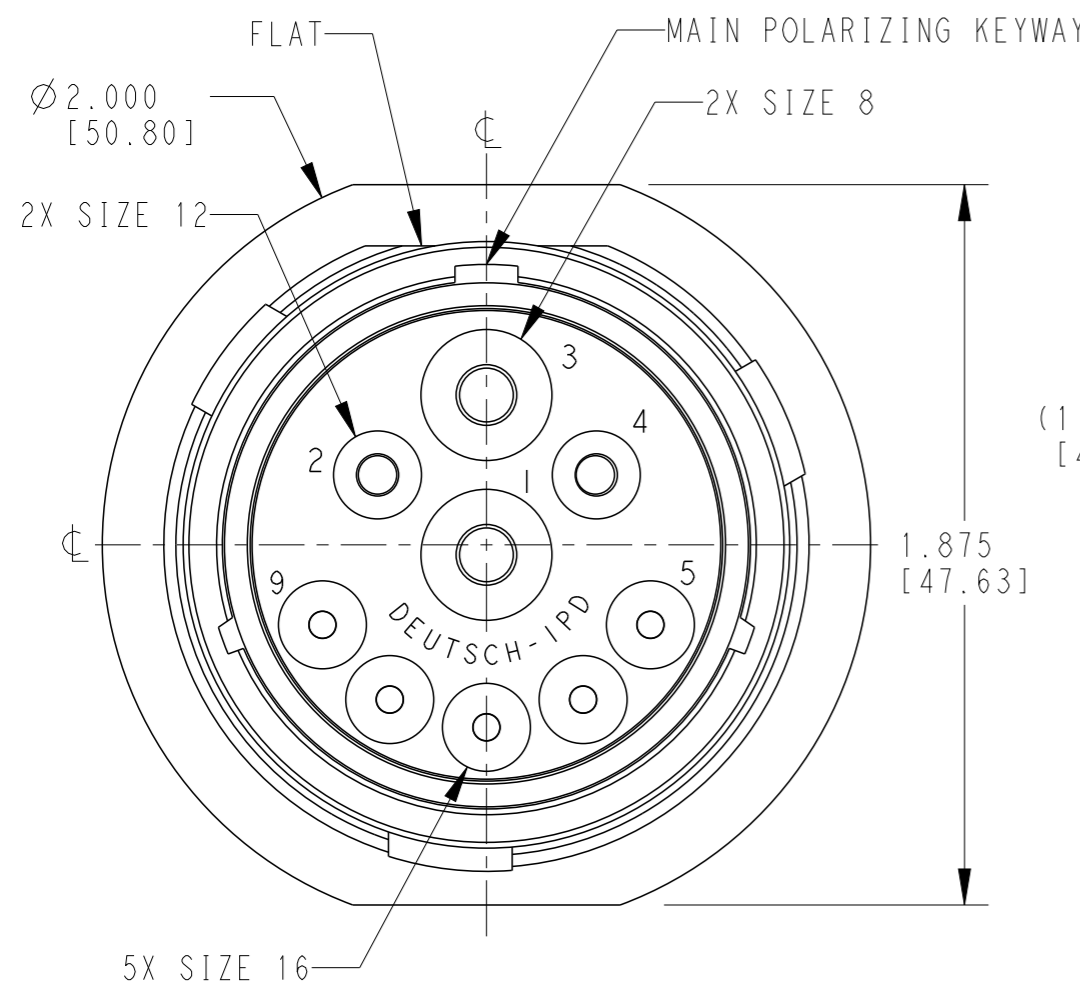


LOC		DIST		REVISIONS		
P	LTR	DESCRIPTION	DATE	DWN	APVD	
	NC	NEW RELEASE PER E.O. P20445	26FEB2010	AM	RDR	
	A	REVISED PER ECO-14-019072	23FEB2015	JA	DM	
	A1	REVISED PER ECO-16-006700	10MAR2016	CS	DM	



SCALE 1:1

TE INTERNAL PN	DEUTSCH PN
HDP24-24-91PN-P064	HDP24-24-91PN-P064
2301337-1	HDP24-24-91PE-P064

6. PART MODIFICATION:
 ELIMINATES JUMPER SEAL PLUG AND CONTACT
5. RECEPTACLE IS SUPPLIED WITH DUST CAP (2415-001-2405).
- 4 NOTED DIMENSION DOES NOT INCLUDE GROMMET PROTRUSION.
- 3 MATERIAL: RECEPTACLE HOUSING: PA66 GF10 (BLACK)
 RETAINING RING: PA66 GF10 (GREEN, BLUE)
 GROMMET: SILICONE (ORANGE-RED)
- 2 SEE 0425-021-0000 APPLICATION SPECIFICATION
 A. RECOMMENDED WIRE INSULATION RANGE
 B. CONTACT REMOVAL TOOLS
 C. RECOMMENDED MOUNTING HOLE & PANEL THICKNESS
 D. MOUNTING HARDWARE & MOUNTING TORQUE
1. THIS RECEPTACLE MATES WITH HDP26-24-91SX-XXXX PLUG
 X = SEAL TYPE (N,T,E)
 XXXX = ALL MODIFICATIONS

NOTES:

THIS DRAWING IS A CONTROLLED DOCUMENT.		DWN 23FEB2010 ALDO MALAGON	 TE Connectivity													
DIMENSIONS: INCHES [mm]		CHK 26FEB2010 BRICE BYFORD			NAME RECEPTACLE, THREADED SIZE 24 HDP SERIES											
TOLERANCES UNLESS OTHERWISE SPECIFIED:		APVD 26FEB2010 STEVE BEARD	PRODUCT SPEC 0425-021-0000	RESTRICTED TO												
<table border="0"> <tr> <td>0 PLC</td> <td>±</td> </tr> <tr> <td>1 PLC</td> <td>±</td> </tr> <tr> <td>2 PLC</td> <td>±</td> </tr> <tr> <td>3 PLC</td> <td>±.015 [0.38]</td> </tr> <tr> <td>4 PLC</td> <td>±</td> </tr> <tr> <td>ANGLES</td> <td>±0°30'0"</td> </tr> </table>		0 PLC	±	1 PLC	±	2 PLC	±	3 PLC	±.015 [0.38]	4 PLC	±	ANGLES	±0°30'0"	APPLICATION SPEC 2	SIZE A3	CAGE CODE 4AFU8
0 PLC	±															
1 PLC	±															
2 PLC	±															
3 PLC	±.015 [0.38]															
4 PLC	±															
ANGLES	±0°30'0"															
MATERIAL 3		FINISH N/A	WEIGHT 56.56g	DRAWING NO HDP24-24-91PX-P064												
		Customer Drawing	SCALE 2:1	SHEET 1 OF 1 REV A1												